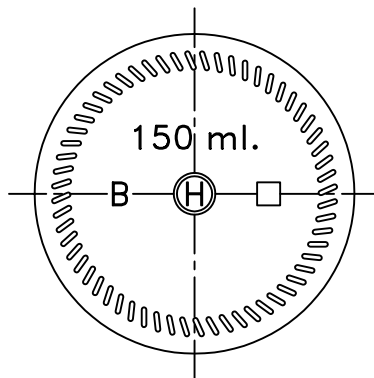
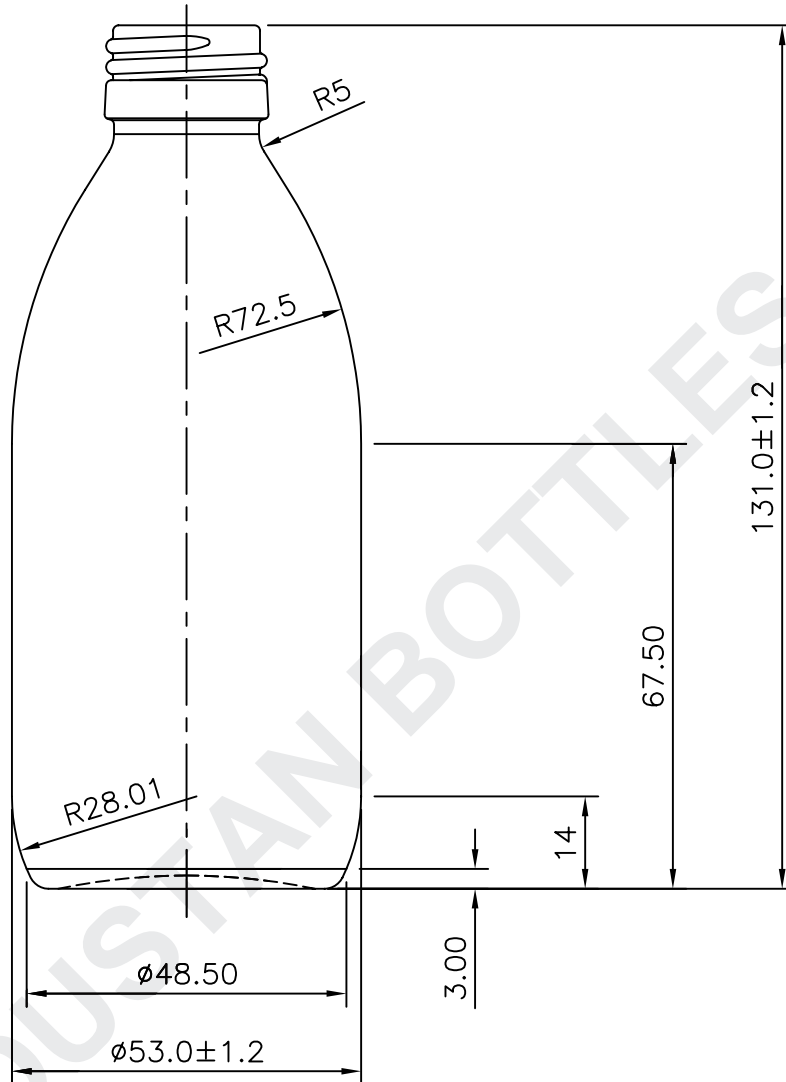


CUST.: M/S.	BOTTLE CAPACITY IN ML.		WT. : 135.0± 7.0 GMS.	
	FILL POINT	BRIMFUL	VACUITY m.m.	
JOB. 150 ML. AMBER	ml.± ml.	165 ml.±5 ml.		

FINISH :- 25 MM. R.S.P.P STD.



NOTE:- DIMENSION & TOLERANCES SHOWN ARE MODEL PURPOSE & ARE LIABLE FOR ALTERATION WHEN DETAIL IS WORKED OUT.	DRAWING APPROVED	DATE: 01.04.2000	DRAWN VIMLESH
		SCALE- 1:1	CKD.
REVISION	CUSTOMER'S SIGNATURE	COLOUR:-AMBER	APPD.
		COMPUTER.CODE NO. B235WPF	
HINDUSTHAN NATIONAL GLASS & INDS. LTD. B.GARH		DRG.NO.W/AMB/B/2151	