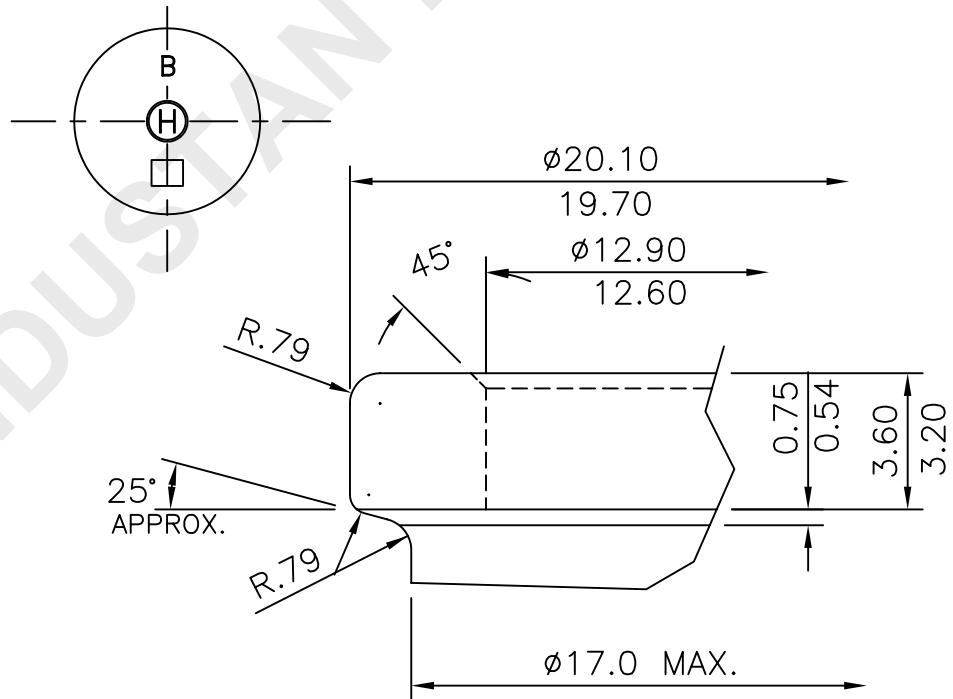
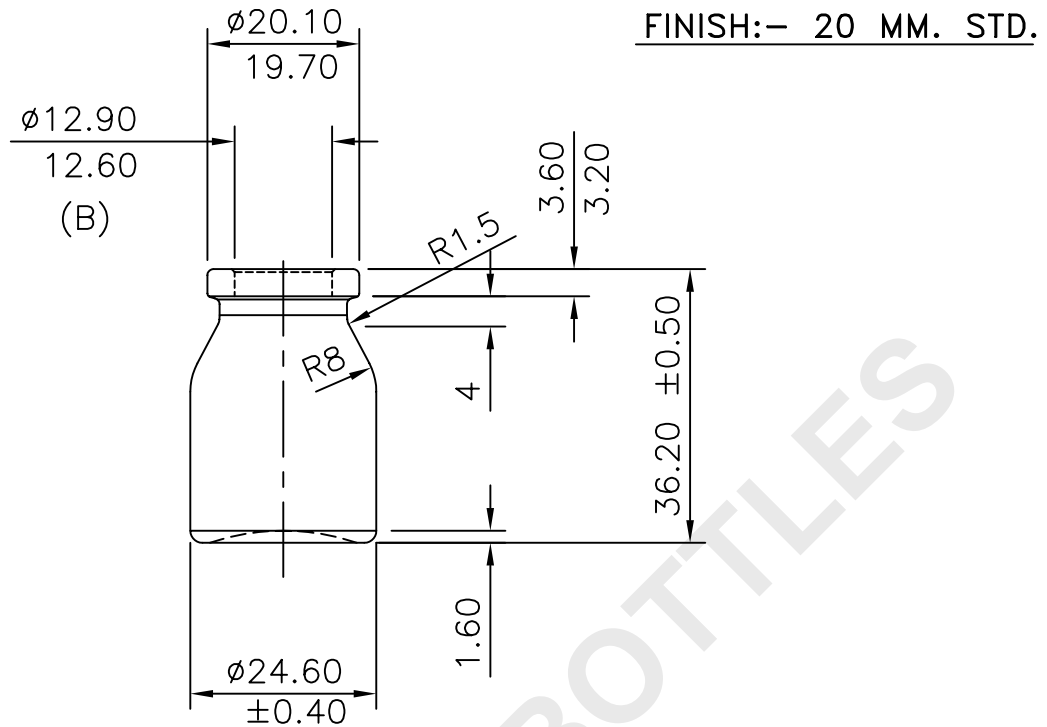


CUST.: M/S	BOTTLE CAPACITY IN ML.		(A)	
	FILL POINT	BRIMFUL	WT. 14 Gms. \pm 2 Gms.	
JOB. 7.5 ML. EROS BOTTLE	ml. \pm ml.	8.5 ml. \pm 0.75 ml.	VACUITY m.m.	
		0.50 ml.		



NECK FINISH DETIAL
SCALE : 1 : 5

COLOUR:- FLINT

NOTE:- DIMENSION & TOLERANCES SHOWN ARE MODEL PURPOSE & ARE LIABLE FOR ALTERATION WHEN DETAIL IS WORKED OUT.	DRAWING APPROVED	DATE: 02.03.2002	DRAWN Rajesh
		SCALE- 1:1	CKD.
REVISION	CUSTOMER'S SIGNATURE	COLOUR: FLINT	APPD.
(A) 14 \pm 2 GMS WT. WAS 14 \pm 3 GMS (B) 12.60 WAS 12.50 AS PER PARTY'S REQD.		COMPUTER.CODE NO. 0751PF2	
HINDUSTHAN NATIONAL GLASS & INDS.LTD. B.GARH		DRG.NO.W/FLT/B/2163/2	