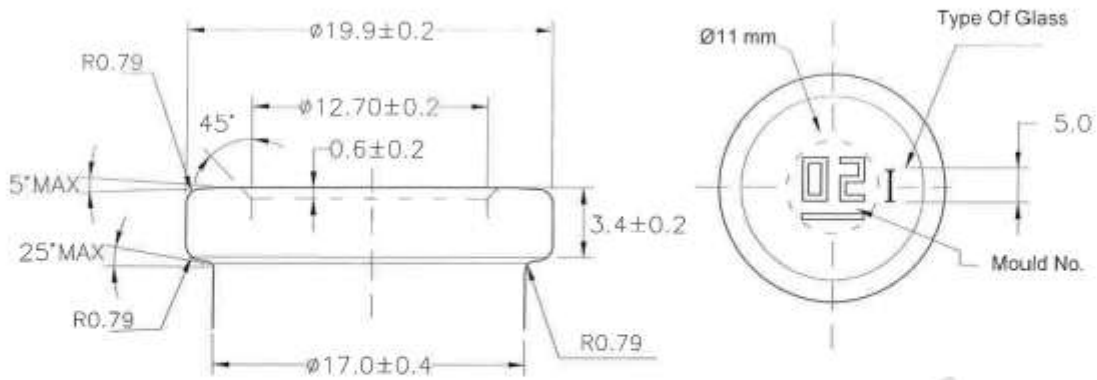
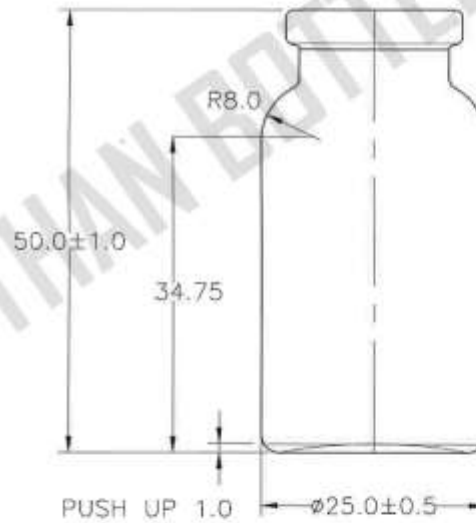



THIS PLAN CANCEL AND REPLACE WITH PLAN N: 101 I. INDEX:



NECK FINISH DETAIL  
SCALE : 3/1



All Dimensions are in MM

REP	DATE	NOTE	MODIFICATIONS	MOULD	INDEX
D					
C					
B	01/11/2016		COMPANY NAME AND LOGO CHANGED		
A	18/12/2015		Superseded Drawing Specifications in SGD Title Block		
NECK FINISH: ISO 20 8362-4-20 MM				WEIGHT: 18.5 GRAMS APPROX.	
Ø OPENING: 12.7 ± 0.2mm on 1mm Deep				BRIMFUL CAPACITY: 14.25 ± 0.75 ML	
Ø I DIMENSION MIN:				CAPACITY: 10 ML	
Glass Type: Borosilicate glass: USP-EP-TYPE-I				MACHINE: LINE-2	
THIS DRAWING IS THE PROPERTY OF SGD PHARMA INDIA AND CANNOT BE COPIED OR COMMUNICATED WITHOUT AUTHORIZATION				DATE: 18/12/2015	
 <p style="text-align: center;"><b>10 ml NATIONAL</b></p>				DRAWING NO:	
				CG-MV-101	