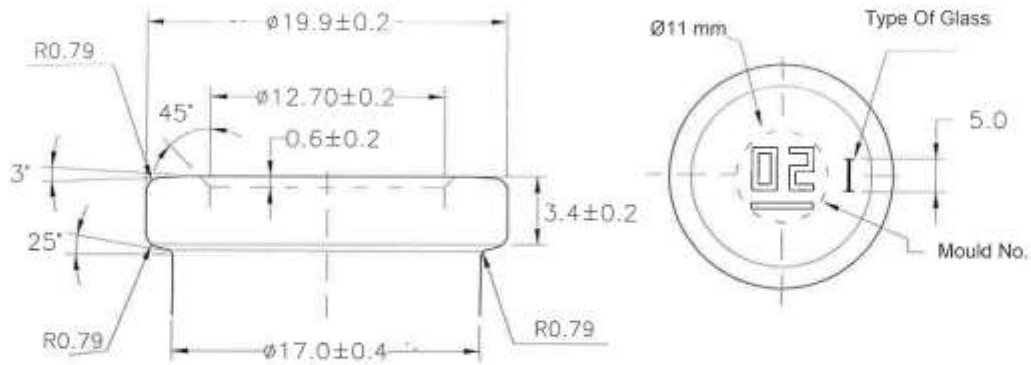



THIS PLAN CANCEL AND REPLACE WITH PLAN N: 152 / INDEX:



NECK FINISH DETAIL
SCALE : 3/1



All Dimensions are in MM

REP	DATE	NOTE	MODIFICATIONS	MOULD	INDEX
D					
C					
B	01/11/2016		COMPANY NAME AND LOGO CHANGED		
A	18/12/2015		Superseded Drawing Specifications in SGD Title Block		
NECK FINISH: ISO 20 8362-4-20 MM				WEIGHT: 23 GRAMS APPROX.	
Ø OPENING: 12.7 ± 0.2mm on 1mm Deep				BRIMFUL CAPACITY: 19.5 ± 1 ML	
Ø I DIMENSION MIN:				CAPACITY: 15 ML	
Glass Type: Borosilicate glass: USP-EP-TYPE-I				MACHINE: LINE- 1&2	
 PHARMA INDIA				DATE: 18/12/2015	
<h2>15 ml VICTORY</h2>				DRAWING NO:	
				CG-MV-152	