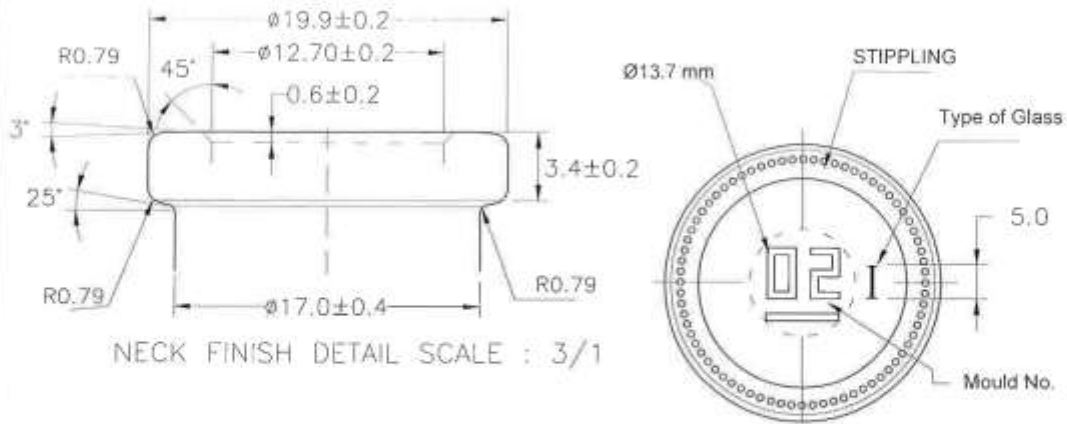



THIS PLAN CANCEL AND REPLACE WITH PLAN N: 201 / INDEX:



All Dimensions are in MM

D						
C						
B	01/11/2016		COMPANY NAME AND LOGO CHANGED			
A	18/12/2015		Superseded Drawing Specifications in SGD Title Block			
REP	DATE	NOTE	MODIFICATIONS			MOULD INDEX
NECK FINISH: ISO 20 8362-4-20 MM			WEIGHT: 27 ± 2.0 GRAMS			MOULD 0201
Ø OPENING: 12.7 ± 0.2mm on 1mm Deep			BRIMFUL CAPACITY: 25.0 - 28.5 ML			
Ø I DIMENSION MIN:			CAPACITY: 20 ML			
Glass Type: Borosilicate glass, USP-EP-TYPE-I						MACHINE: LINE- 1&2
 PHARMA INDIA	THIS DRAWING IS THE PROPERTY OF SGD PHARMA INDIA AND CANNOT BE COPIED OR COMMUNICATED WITHOUT AUTHORIZATION					DATE: 18/12/2015
	20 ml NATIONAL					DRAWING NO: CG-MV-201