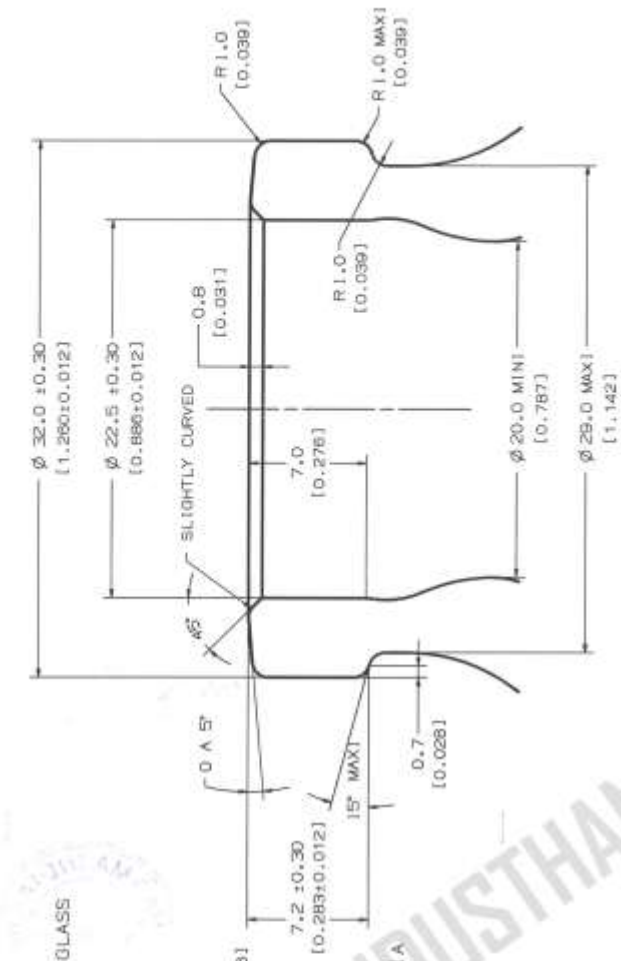
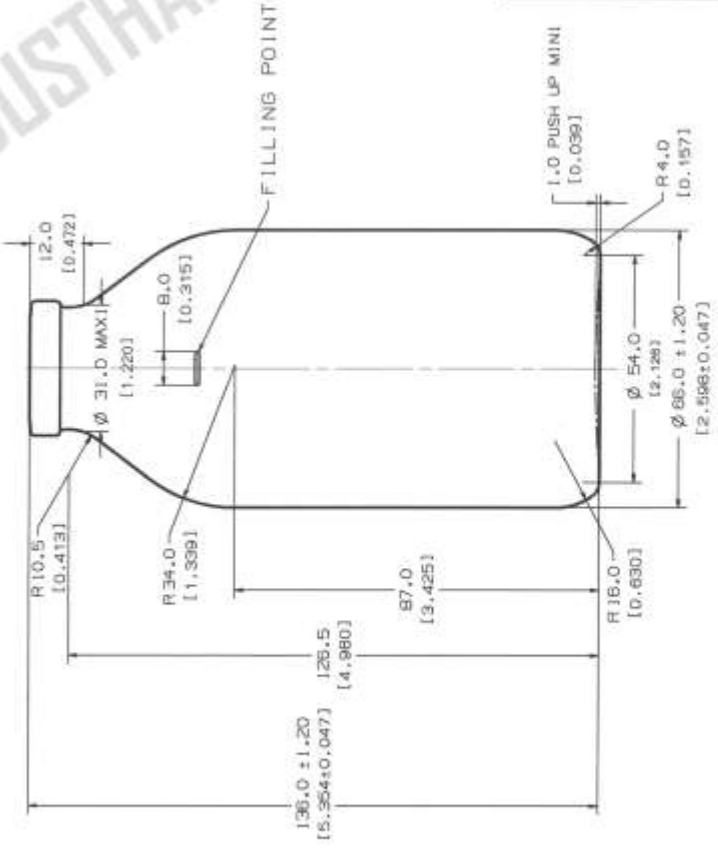
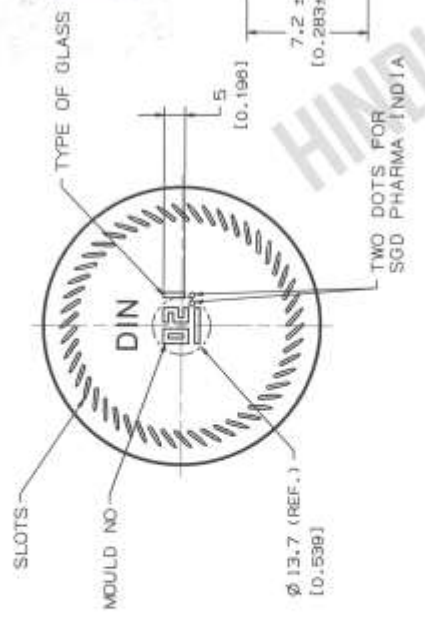


THIS PLAN CANCELS AND TAKES THE PLACE OF PRODUCTION PLAN N



Neck Finish Detail  
SCALE 4:1



ALL DIMENSIONS ARE IN MM & INCH

D	REVISED	DATE	NOTE	MODIFICATIONS	MOULD NO.	INDEX
C	REVIEWED			GLASS TYPE: BODOLIMUM	34430	60
B	DESIGNED			UPP-IP-TYPE-1	34430	60
A	05/01/2020			APPROX. WEIGHT: 170 ± 20 GRAMMES	34430	60
NECK FINISH: 32				MOULD		
Ø OPENING: 22.5 ± 0.3 ON 7 MM DEPTH				34430		
Ø I DIMENSION MINI: 20				MOULD NO.		
BEKUPFUL CAPACITY: 308 CC ± 8 CC				INDEX		
				DATE: 01/01/2020		
				MY050 C		

THIS DRAWING IS THE PROPERTY OF SGD AND CANNOT BE COPIED OR COMMUNICATED WITHOUT AUTHORIZATION FROM

INFUSION DIN 58363 - 250 ML

AFTER PLAN N:41759/0 REF: 34430:25 CAUSE: PLANT CODIFICATION