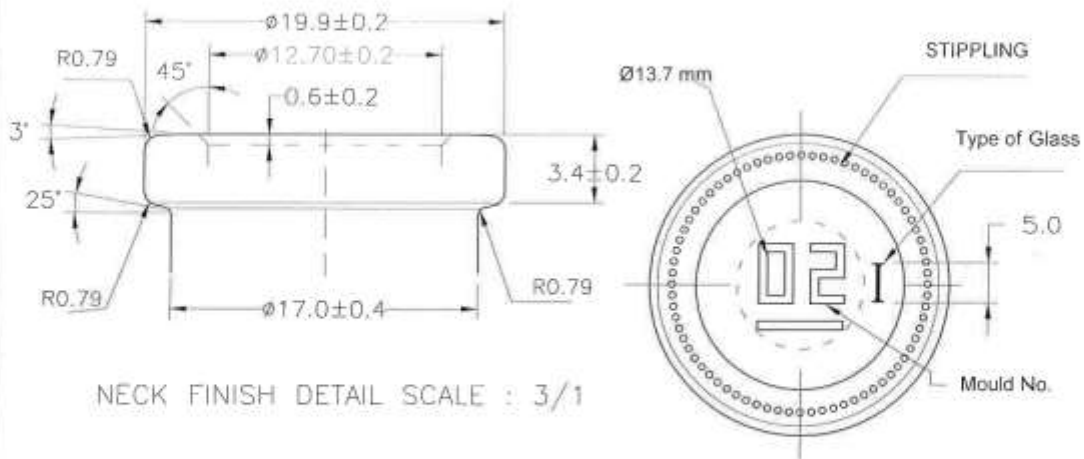



THIS PLAN CANCEL AND REPLACE WITH PLAN N: 301 / INDEX:



NECK FINISH DETAIL SCALE : 3/1



All Dimensions are in MM

D					
C					
B	01/11/2016		COMPANY NAME AND LOGO CHANGED		
A	18/12/2015		Superseded Drawing Specifications in SGD Title Block		
REP	DATE	NOTE	MODIFICATIONS	MOULD	INDEX
			NECK FINISH: ISO 20 8362-4-20 MM		
			WEIGHT: 38 GRAMS APPROX.	MOULD 0301	
			Ø OPENING: 12.7 ± 0.2mm on 1mm Deep		
			Ø I DIMENSION MIN:		
			Glass Type: Borosilicate glass; USP-EP-TYPE-I	MACHINE: LINE- 1&2	
 THIS DRAWING IS THE PROPERTY OF SGD PHARMA INDIA AND CANNOT BE COPIED OR COMMUNICATED WITHOUT AUTHORIZATION 30 ml VICTORY				DATE: 18/12/2015	
				DRAWING NO: CG-MV-301	