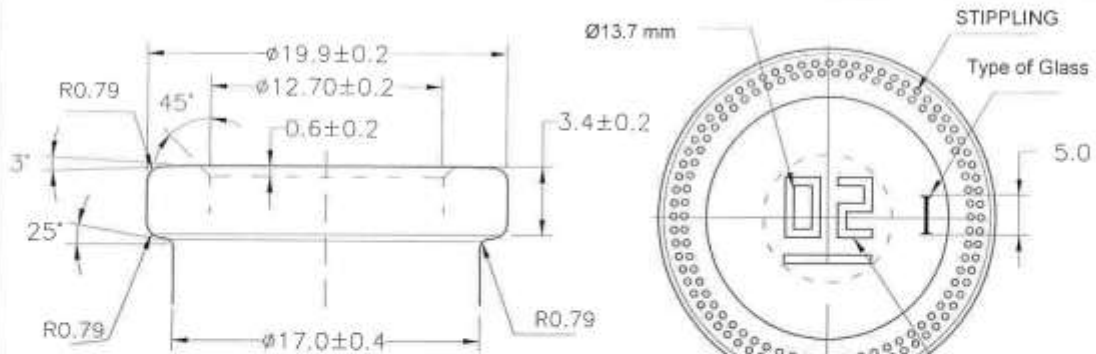



THIS PLAN CANCEL AND REPLACE WITH PLAN N: 507 / INDEX.



NECK FINISH DETAIL SCALE : 3/1



All Dimensions are in MM

| REP | DATE | NOTE | MODIFICATIONS | MOULD | INDEX |
|---|------------|------------------------|--|----------------------------------|-------|
| D | | | | | |
| C | | | | | |
| B | 01/11/2016 | | COMPANY NAME AND LOGO CHANGED | | |
| A | 18/12/2015 | | Superseded Drawing Specifications in SGD Title Block | | |
| NECK FINISH: ISO 20 8362-4-20 MM | | | | WEIGHT: 52 GRAMS APPROX. | |
| Ø OPENING: 12.7 ± 0.2mm on 1mm Deep | | | | BRIMFUL CAPACITY: 64.0 - 70.0 ML | |
| Ø I DIMENSION MIN: | | | | CAPACITY: 50 ML | |
| Glass Type: Borosilicate glass: USP-EP-TYPE-I | | | | MACHINE: LINE- 1&2 | |
| THIS DRAWING IS THE PROPERTY OF SGO PHARMA INDIA AND CANNOT BE COPIED OR COMMUNICATED WITHOUT AUTHORIZATION | | | | | |
|  | | <h2>50 ml VICTORY</h2> | | DATE: 18/12/2015 | |
| | | | | DRAWING NO: CG-MV-507 | |

MOULD
0507

MACHINE: LINE- 1&2

DATE: 18/12/2015

DRAWING NO:
CG-MV-507